

## Features



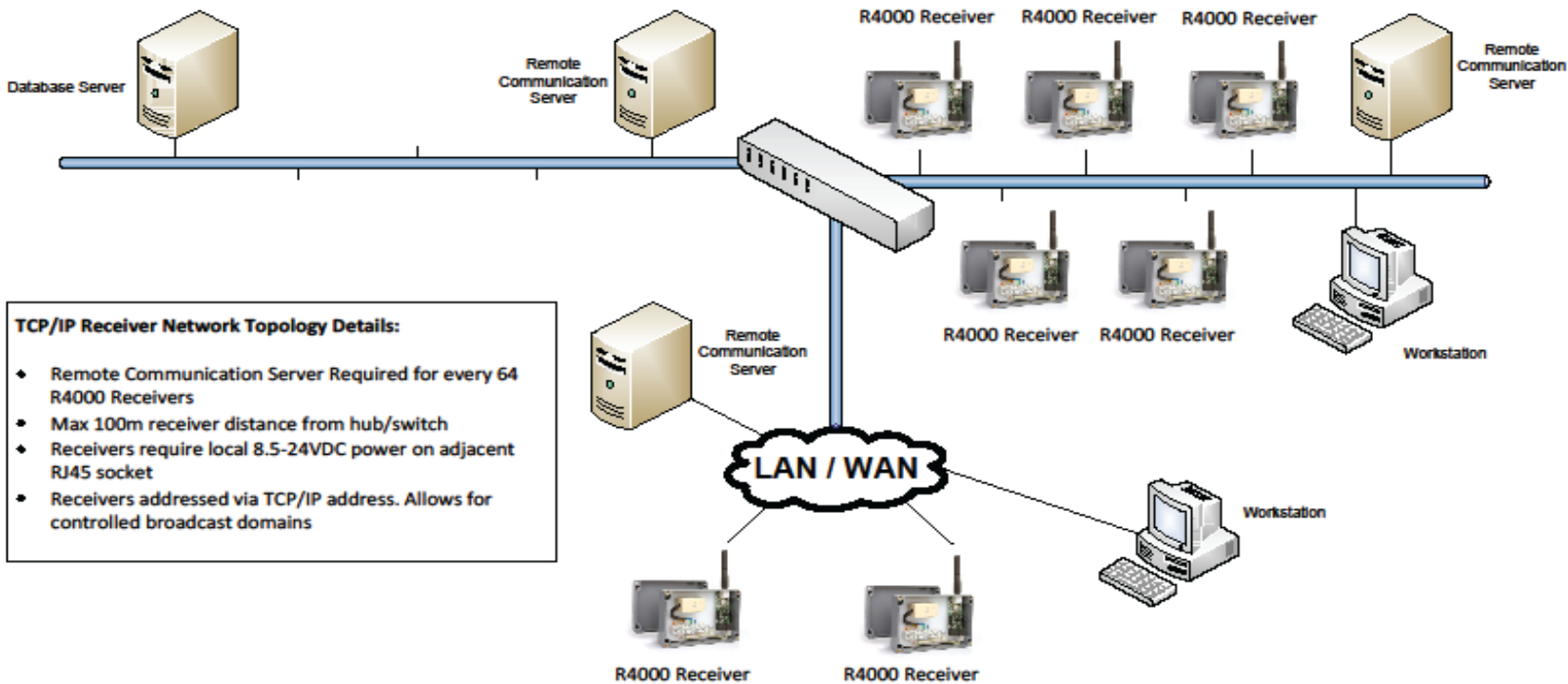
R-4000 Reader  
Shown in a 2NEM Enclosure

The R-4000 Reader, like all other 1st Choice Readers, detects and decodes RF transmitted signals from the 1st Choice Long Range RFID Tags. The R-4000 Reader alleviates the costs of installing new cable systems by using a building's existing CAT5 Ethernet cabling network and infrastructure.

In a multi-reader network, readers interconnect using a local or wide area network which allows ease of use and scalability from few readers to many readers residing on the network.

- \* Use of existing LAN/WAN infrastructure to position readers
- \* Multi-reader network is scalable to suit application needs
- \* Very low network bandwidth utilization
- \* Readers are easily configured from any PC on the LAN/WAN running software.
- \* Powered via RJ-45 port.
- \* Reader status indication by LED's at RJ45 connectors.
- \* Adjustable Read Range: 1'-600- with standard Antenna  
Longer range with special Antennas
- \* Plug-in tool kit for field programming and adjustments
- \* Both Omni-Directional and Directional Antennas are available
- \* Wireless Mesh Available.

## R4000 TCP/IP Receiver Network Topology



### Specifications

Frequency.....433.92 Mhz  
 Antenna Input.....BNC Female  
 Sensitivity.....-103 dBm  
 Bandwidth.....700 kHz  
 Operational Temperature.....-40° C to +70° C  
 Size.....110 x63 x22 mm  
 Weight.....35 grams  
 Max Current.....60 mA  
 Supply Voltage.....8.5-24 VDC  
 Communications.....TCP / IP

For More Information Contact:

**PANASOFT**  
Panamá and Puerto Rico

Tel.: (507) 6508-7189  
[sales@panasoft.com](mailto:sales@panasoft.com)  
[www.panasoft.com](http://www.panasoft.com)